

# KOOL-IT

## Durable Design

- Free standing design for merchandising beverages, cheese, sandwiches and much more
- Simple plug-in installation
- Coated evaporator coil
- Solid uniformed body construction
- (3) Adjustable shelves
- Double tempered Glass
- Night curtain
- Automatic defrost system
- Interior and exterior panels: Stainless Steel

## Energy Efficiency

- Designed for mobility, reliability & efficiency in commercial kitchens
- Certified with ETL guaranteeing quality standards
- 4 2" Casters (2 with brakes)
- Holding temperature: 35°F - 40°F

## Superior Quality

- Digital temperature readout display with electronic thermostatic control
- LED interior lighting for total product display
- Efficient forced air refrigeration system
- CFC-free refrigerant with R-404a gas

## Open Air Merchandiser

KOM-36 SS | KOM-48 SS



MODEL NUMBER	EXTERNAL DIMS (IN) W x D x H	VOLTAGE / FREQUENCY	AMPS	REFRIGERANT	SHIPPING DIMENSIONS (IN) W x D x H	SHIP WEIGHT (LBS)
KOM-36 SS	36.2" x 31.2" x 57.5"	115V/60 Hz/ 1	11.6	R-404a	39.0" x 36.2" x 63.0"	315
KOM-48 SS	47.4" x 31.2" x 57.5"	115V/60 Hz/ 1	13.0	R-404a	50.0" x 36.2" x 63.0"	406



Nema 5-15P Nema 5-20P  
KOM-36-SS KOM-48-SS

Dedicated Circuit

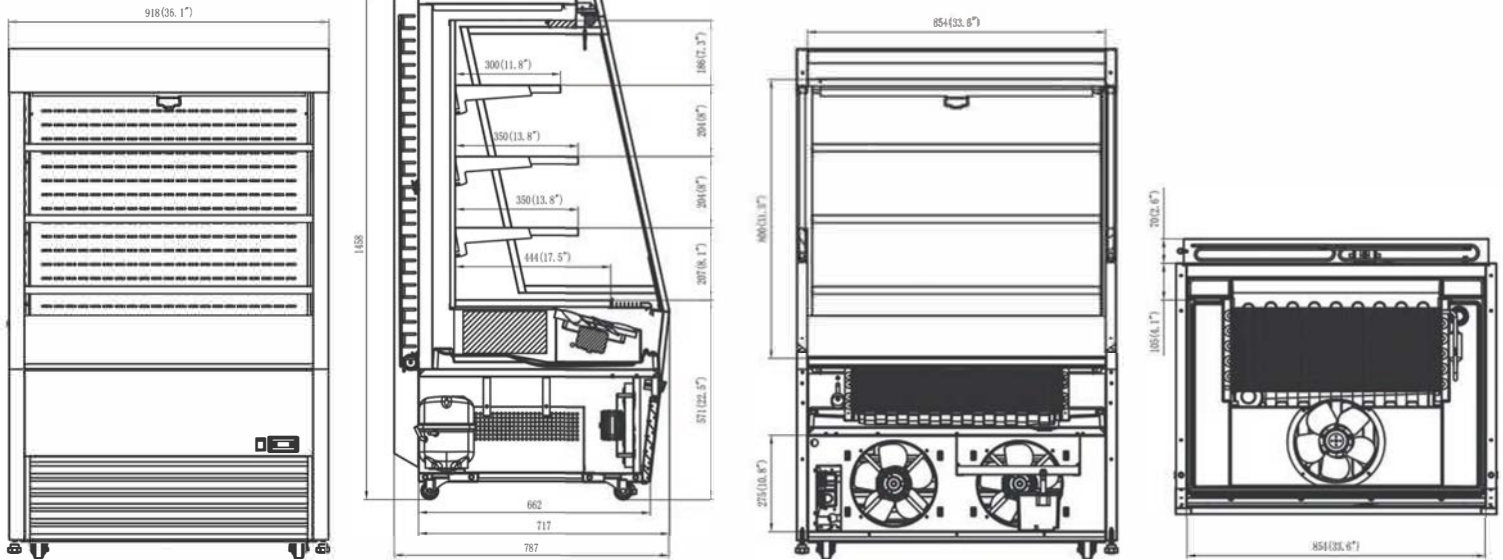
Project Name:	
Location:	
Item:	Qty:
Model:	



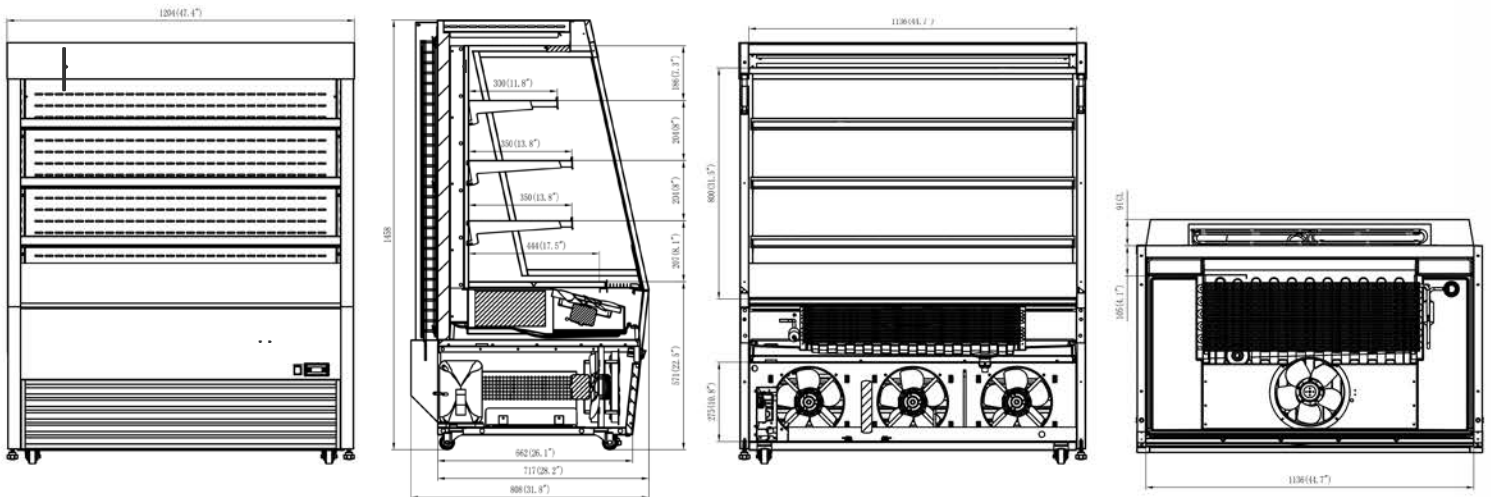
5659 Royalmount Ave.  
Montreal, QC, Canada H4P 2P9  
Telephone: 514.737.9701 / Toll Free: 888.275.4538  
Fax: 514.342.3854 / Toll Free: 877.453.8832  
sales@mvpgroupcorp.com / mvpgroupcorp.com

12000 Biscayne Blvd., Suite # 108  
Miami, FL, United States 33181  
Telephone: 786.600.4687 / Toll Free: 844.218.8477  
Fax: 786.661.4100

## KOM-36 SS



## KOM-48 SS



Warranty: 24 months parts and labor.  
Additional 36 months on compressor (part only)

KOOL-IT is a registered trademark of MVP Group.  
Specifications subject to change without notice.



5659 Royalmount Ave.  
Montreal, QC, Canada H4P 2P9  
Telephone: 514.737.9701 / Toll Free: 888.275.4538  
Fax: 514.342.3854 / Toll Free: 877.453.8832  
sales@mvpgroupcorp.com / mvpgroupcorp.com

12000 Biscayne Blvd., Suite # 108  
Miami, FL, United States 33181  
Telephone: 786.600.4687 / Toll Free: 844.218.8477  
Fax: 786.661.4100