

Sandwich Prep Tables
Mega Tops
KSTM SERIES

Project Name:	
Location:	
Item:	Qty:
Model:	



27"
KSTM-27-1



36"
KSTM-36-2



48"
KSTM-48-2



60"
KSTM-60-2



72"
KSTM-72-3



5659 Royalmount Ave.
 Montreal, QC, Canada H4P 2P9
 Telephone: 514.737.9701 / Toll Free: 888.275.4538
 Fax: 514.342.3854 / Toll Free: 877.453.8832
sales@mvpgroupcorp.com / mvpgroupcorp.com

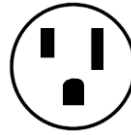
12000 Biscayne Blvd., Suite # 108
 Miami, FL, United States 33181
 Telephone: 786.600.4687 / Toll Free: 844.218.8477
 Fax: 786.661.4100

Mega Top Sandwich Prep Tables

Model Number	Capacity (cubic feet)	Number of Doors	Number of Shelves	Number of Pans	HP	Amps	Net Weight (lbs.)	Shipping Weight (lbs.)	Shipping Dimensions (W x D x H in inches)	Internal Dimensions (W x D x H in inches)
KSTM-27-1	7	1	1	12	1/5	3.3	170	211	28.9 x 36.2 x 44.8	23.5 x 22.2 x 21.4
KSTM-36-2	9.5	2	2	15	1/5	3.5	196	249	37.8 x 36.2 x 44.8	31.5 x 22.2 x 21.4
KSTM-48-2	13.1	2	2	18	1/3	5.5	234	307	49.7 x 36.2 x 44.8	40 x 22.2 x 21.4
KSTM-60-2	16.7	2	2	24	1/3	5.5	278	338	61.8 x 36.2 x 44.8	52.2 x 22.2 x 21.4
KSTM-72-3	20.2	3	3	30	1/3	6	328	393	73.8 x 36.2 x 44.8	63.1 x 22.2 x 21.4

These units are designed for maximum performance in an air-conditioned area of 75°F ambient temperature and 55% relative humidity. There must be adequate ventilation at the top, sides & rear of the unit for proper operation.

Warranty: 36 months parts & labor. Additional 24 months on compressor (part only).



115V / 60 Hz / 1
NEMA 5 – 15P
DEDICATED CIRCUIT



5659 Royalmount Ave.
Montreal, QC, Canada H4P 2P9
Telephone: 514.737.9701 / Toll Free: 888.275.4538
Fax: 514.342.3854 / Toll Free: 877.453.8832
sales@mvpgroupcorp.com / mvpgroupcorp.com

12000 Biscayne Blvd., Suite # 108
Miami, FL, United States 33181
Telephone: 786.600.4687 / Toll Free: 844.218.8477
Fax: 786.661.4100

Durable Design

- Created to endure the everyday stress of the commercial kitchen environment, to protect your long-term investment and guarantee superior food preservation
- Coated evaporator coil
- 1 height adjustable, heavy-duty, PE coated wire shelf per door
- Spring loaded, self closing doors
- Door swing is field reversible on 27" units (part KB-5246 required)
- Removable, easy to clean 9.5" cutting board
- Simple plug-in installation

Energy Efficiency

- Self-closing door with stay open feature
- Seals tight with magnetic vinyl gasket
- Foamed-in place high-density polyurethane insulated body, CFC-Free
- Environmentally friendly R-134a refrigerant
- 1" thick insulated lids

Superior Quality

- Designed for mobility, reliability & efficiency in commercial kitchens
- 4" swivel castors with 2 front brakes
- 36" high working surface
- Easy grip door handle(s)
- Entirely self-contained system
- Forced air refrigeration
- Automatic defrost system
- Easily adjustable shelf height
- Stainless Steel interior & exterior
- 1/6 x 4" size polycarbonate food pans included (can accommodate 6" pans)
- 1/9 x 4" size polycarbonate food pans included (on KST-27-1 only)

KSTM Series Sandwich Prep Tables

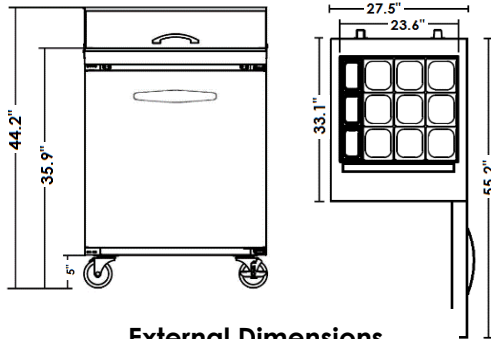
- Temperature range : 33°F to 40°F



5659 Royalmount Ave.
Montreal, QC, Canada H4P 2P9
Telephone: 514.737.9701 / Toll Free: 888.275.4538
Fax: 514.342.3854 / Toll Free: 877.453.8832
sales@mvpgroupcorp.com / mvpgroupcorp.com

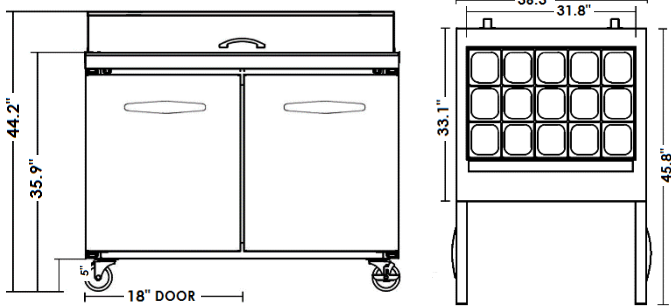
12000 Biscayne Blvd., Suite # 108
Miami, FL, United States 33181
Telephone: 786.600.4687 / Toll Free: 844.218.8477
Fax: 786.661.4100

27"
KSTM-27-1



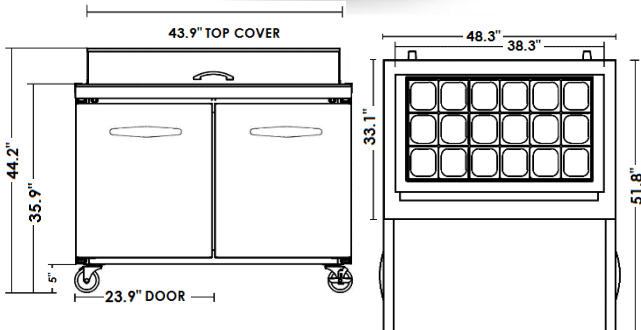
External Dimensions
27.5 x 33.1 x 44.2 (W" x D" x H")

36"
KSTM-36-2



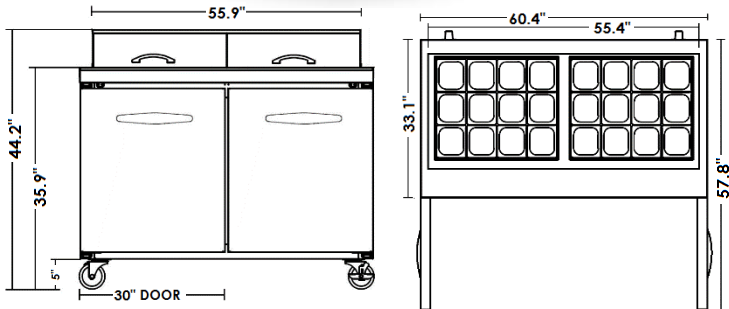
External Dimensions
36.4 x 33.1 x 44.2 (W" x D" x H")

48"
KSTM-48-2



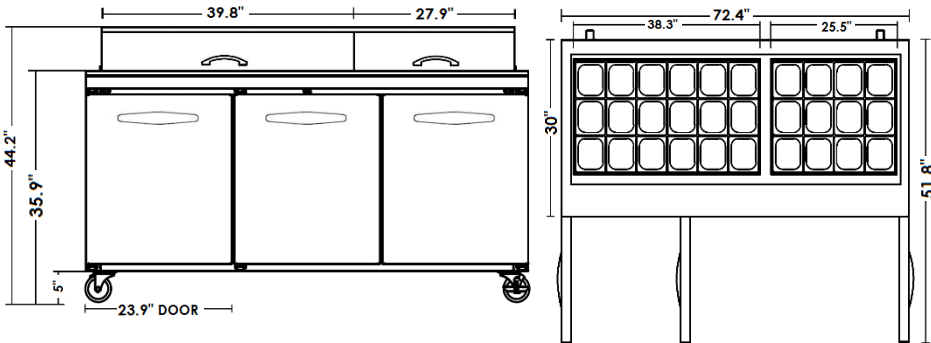
External Dimensions
48.4 x 33.1 x 44.2 (W" x D" x H")

60"
KSTM-60-2



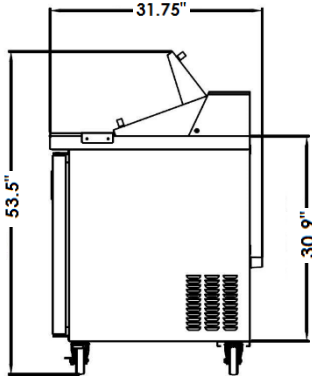
External Dimensions
60.4 x 33.1 x 44.2 (W" x D" x H")

72"
KSTM-72-3



External Dimensions
72.4 x 33.1 x 44.2 (W" x D" x H")

Side View of all Sandwich Prep Tables



KOOL-IT is a registered trademark of MVP Group. Specifications subject to change without notice.



5659 Royalmount Ave.
Montreal, QC, Canada H4P 2P9
Telephone: 514.737.9701 / Toll Free: 888.275.4538
Fax: 514.342.3854 / Toll Free: 877.453.8832
sales@mvpgroupcorp.com / mvpgroupcorp.com

12000 Biscayne Blvd., Suite # 108
Miami, FL, United States 33181
Telephone: 786.600.4687 / Toll Free: 844.218.8477
Fax: 786.661.4100